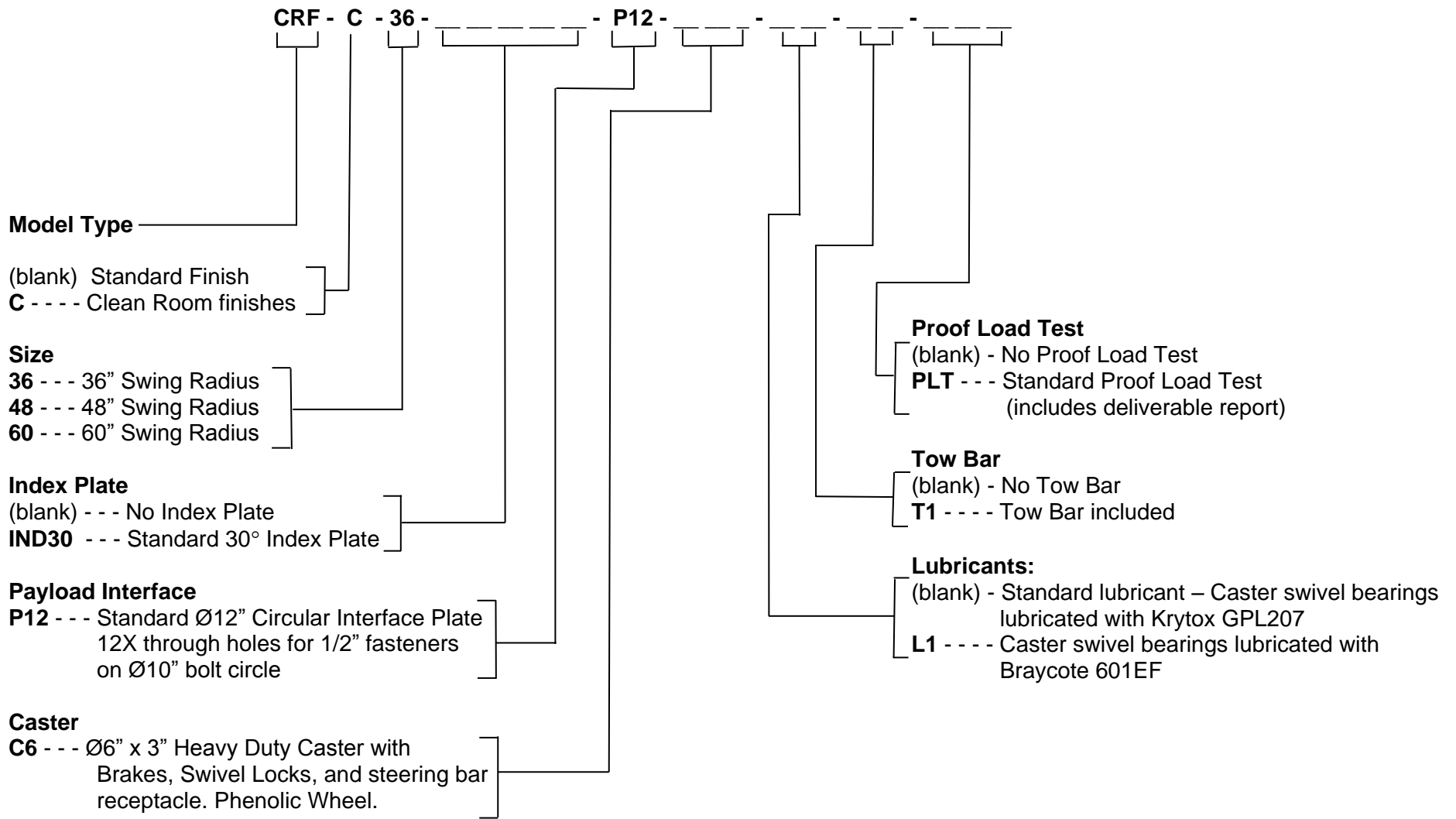




Cantilevered Rotation Fixture

Creating a model number



Example:

